

# FAYETTE ELECTRIC COOPERATIVE

(979) 968-3181

1-866-968-3181

## TRANSFORMER POLE - METER LOOP SPECIFICATIONS

### NOTE:

1. Members are responsible for supplying and installing entire assembled meter loop. Fayette Electric is to be notified when loop is ready for inspection.
2. Meter loop **must pass inspection** before service is connected.
3. Only meter loop with underground feeders will be allowed on transformer pole. **“NO”** overhead feeders, lights, antennas, satellite dishes, etc. are allowed on transformer pole.

### TYPES OF POLES USED

WOOD  
STEEL  
CONCRETE

| <u>TRANS. POLE SIZE</u> | <u>CONDUIT LENGTH</u> |
|-------------------------|-----------------------|
| 35 FT                   | 14 FT                 |
| 40 FT                   | 17 FT                 |
| 45 FT                   | 24 FT                 |

| <u>WIRE SIZE</u> | <u>BREAKER SIZE</u> | <u>CONDUIT SIZE</u> |
|------------------|---------------------|---------------------|
| #6 CU            | 60 Amp              | 1 inch              |
| #4 CU            | 100 Amp             | 1 ¼ inch            |
| #2 CU            | 125 Amp             | 1 ¼ inch            |
| # 1/0 CU         | 150 Amp             | 2 inch              |
| # 2/0 CU         | 200 Amp             | 2 inch              |
| Call office      | <b>Over 200 Amp</b> | Call office         |

### WEATHERHEAD

### METAL THREADED CONDUIT

1. MUST BE RIGID OR IMC.

### CONDUCTOR TAILS

1. MUST BE AT LEAST 8 FT LONG.
2. NEUTRAL CONDUCTOR SHOULD BE IDENTIFIED.

### CONDUIT STRAPS

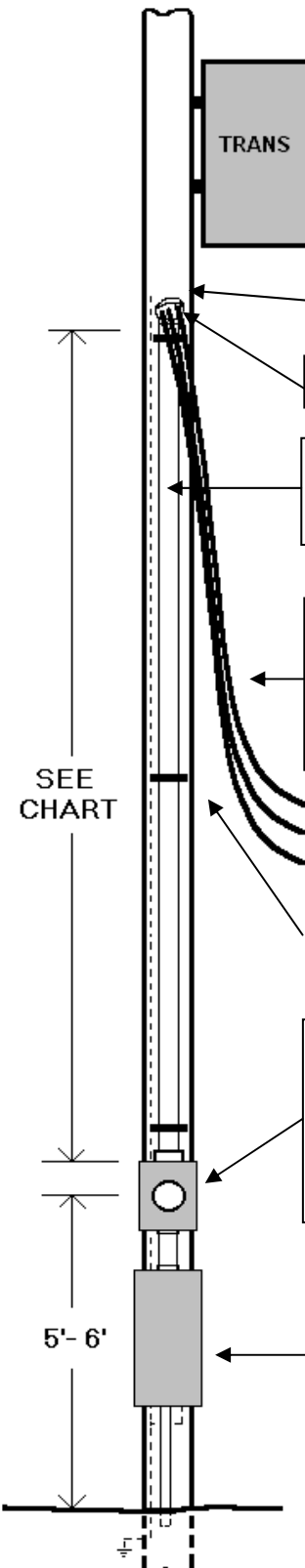
1. THREE STRAPS ARE REQUIRED.

### METER SOCKET

1. THREADED HUB ON TOP.
2. LOCKNUT AND FIBER-BUSHING INSIDE METER SOCKET ON METAL NIPPLE.
3. METAL NIPPLE WITH LOCKNUT UNDER METER SOCKET.
4. MOUNT SOCKET 5 TO 6 FT. FROM GROUND LEVEL.

### WEATHER-PROOF MAIN DISCONNECT

1. MOUNTED DIRECTLY UNDER METER SOCKET WITH HUB ON TOP.
2. **SINGLE MAIN BREAKER OR 6 HANDLE MAIN** AS DEFINED IN NEC.
3. **#6 SOLID BARE COPPER WIRE** FROM DISCONNECT IS TO BE ATTACHED TO COOPERATIVE'S POLE GROUND WITH CLAMP.



SEE CHART

5'-6"